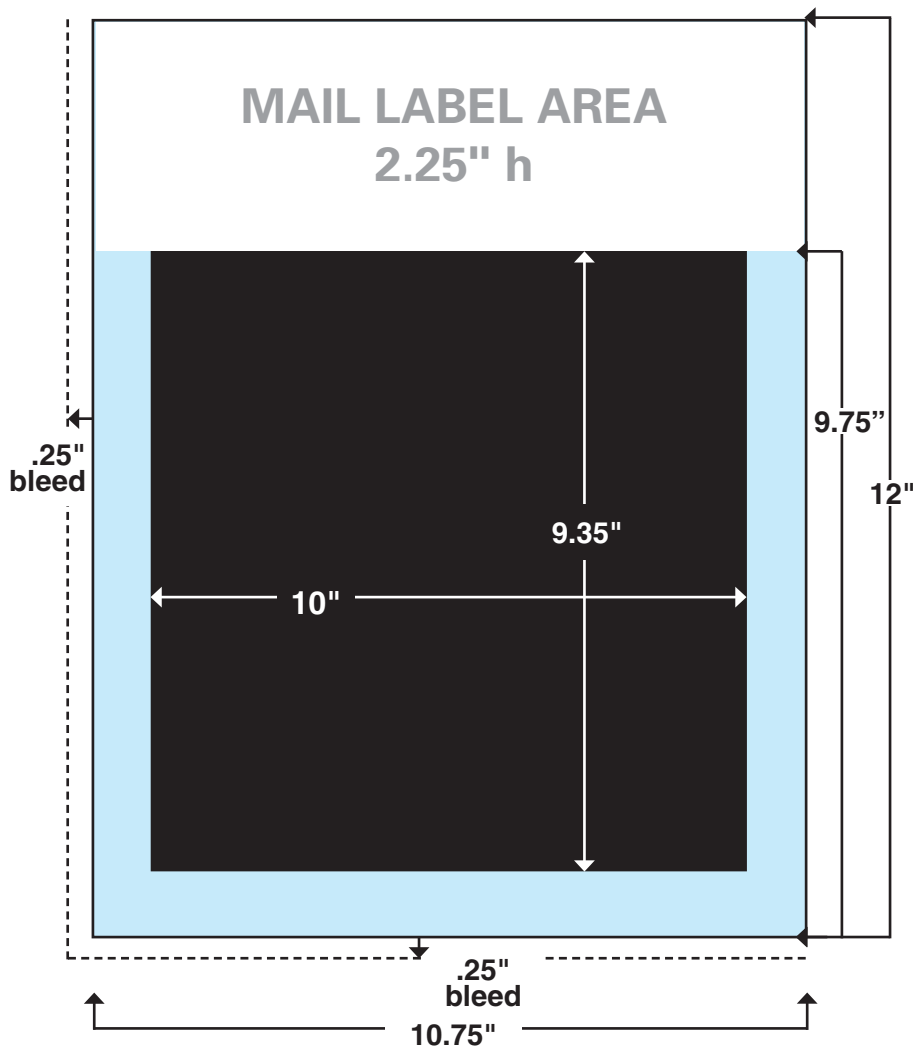




Back Cover Spec Sheet

Four Color Process: SWOP Web
Trim: 10.75" x 12"



- Include .25" bleed on left and bottom
- Type must be placed at least 1/2 inch from trim edges
- Images should be no less than 300 dpi
- Send cover as high-res/press optimized PDF
- SWOP certified hard copy proof is required

Please see Mechanical Specification sheet for additional information.

Direct questions and send artwork to:

BIC Alliance

Valerie Sprinkle, Graphic Designer

6378 Quinn Drive, Baton Rouge, LA 70817

800.460.4242 or 225.751.9996 • valerie@bicalliance.com